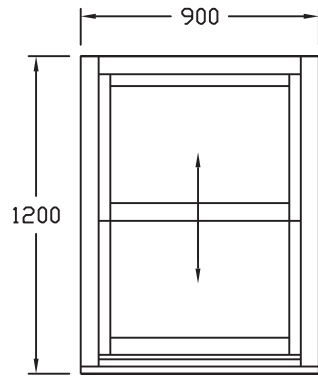
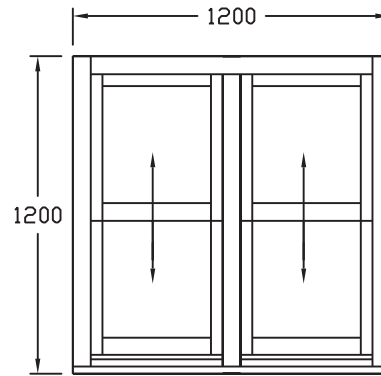


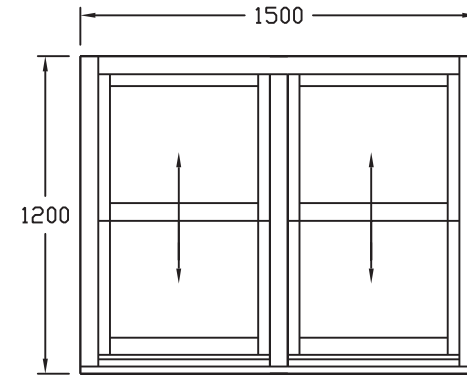
FTW 1200 X 600 FDH



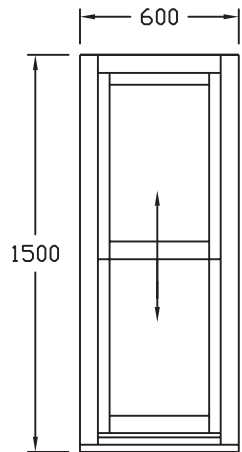
FTW 1200 X 900 FDH



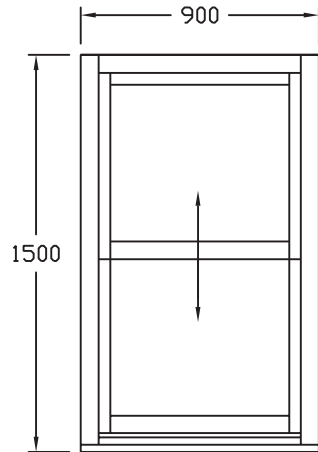
FTW 1200 X 1200 FDH



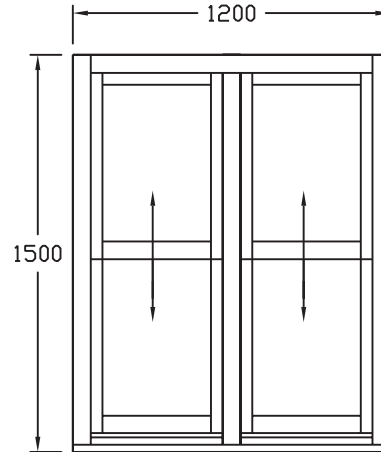
FTW 1200 X 1500 FDH



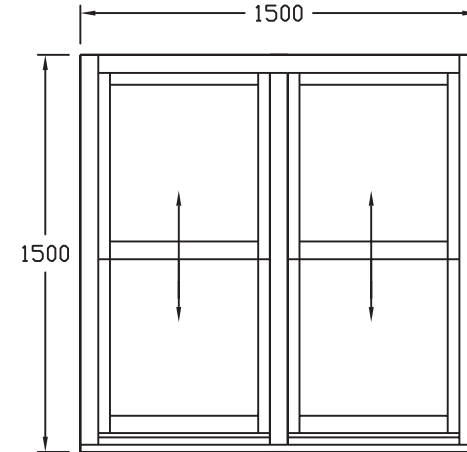
FTW 1500 X 600 FDH



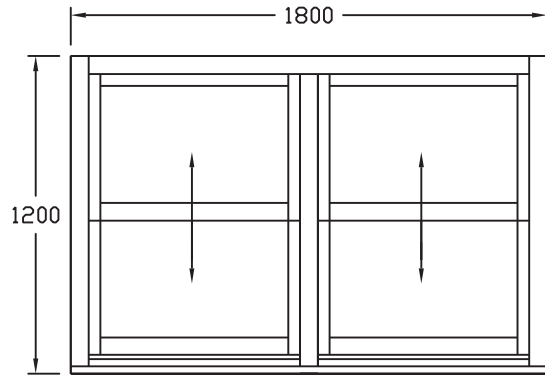
FTW 1500 X 900 FDH



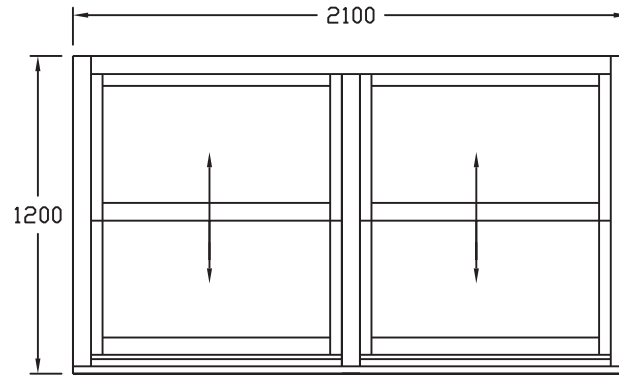
FTW 1500 X 1200 FDH



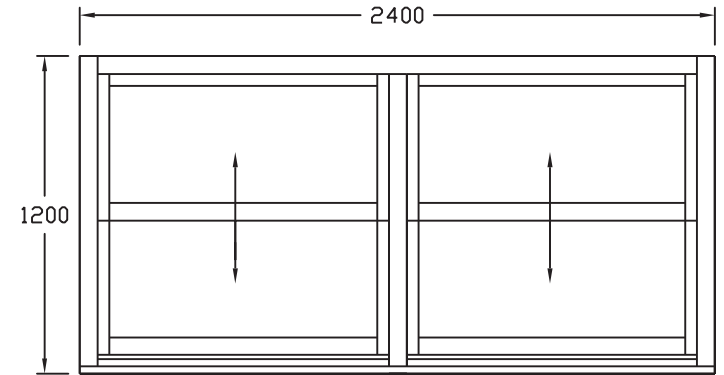
FTW 1500 X 1500 FDH



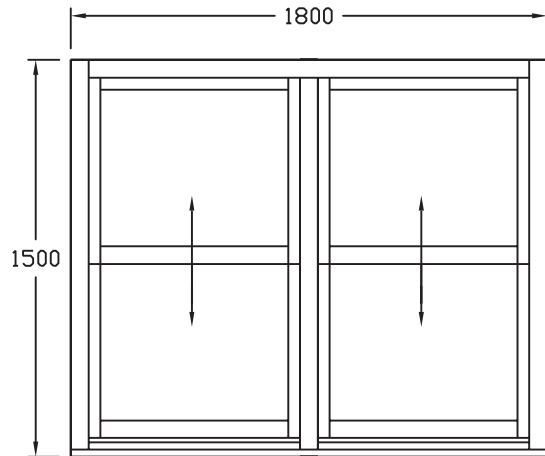
FTW 1200 X 1800 FDH



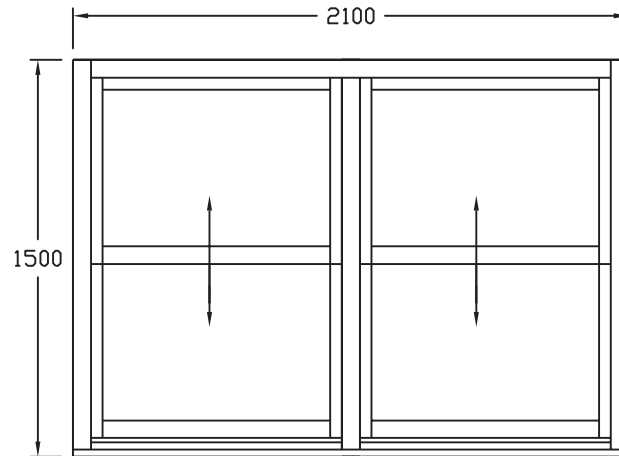
FTW 1200 X 2100 FDH



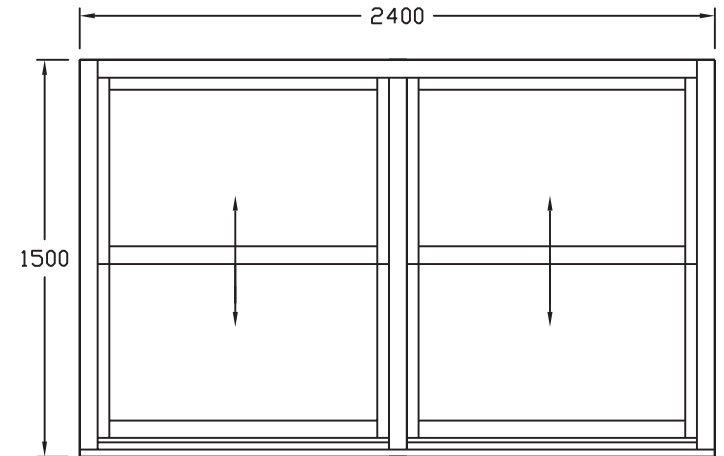
FTW 1200 X 2400 FDH



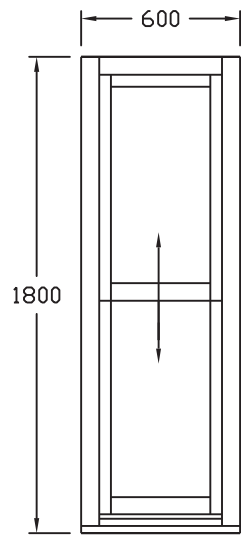
FTW 1500 X 1800 FDH



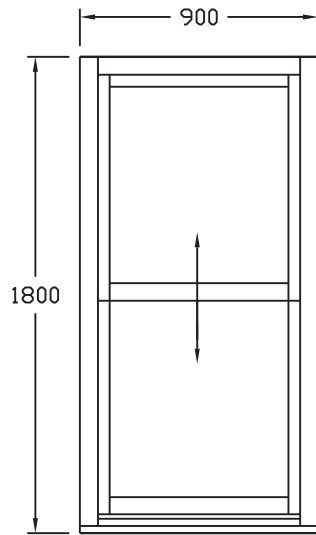
FTW 1500 X 2100 FDH



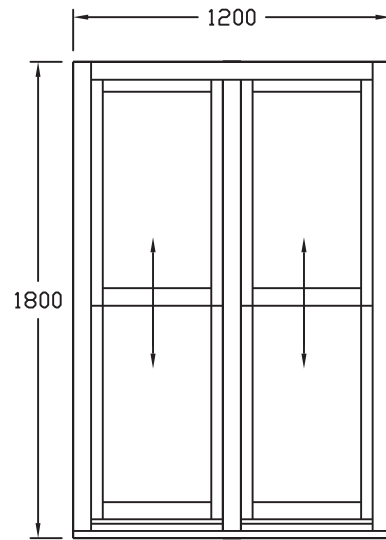
FTW 1500 X 2400 FDH



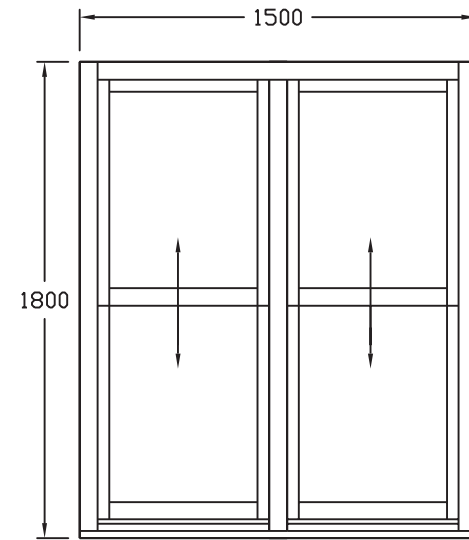
FTW 1800 X 600 FDH



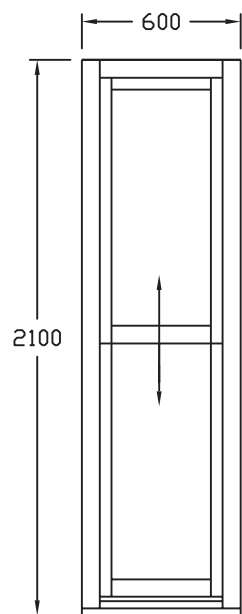
FTW 1800 X 900 FDH



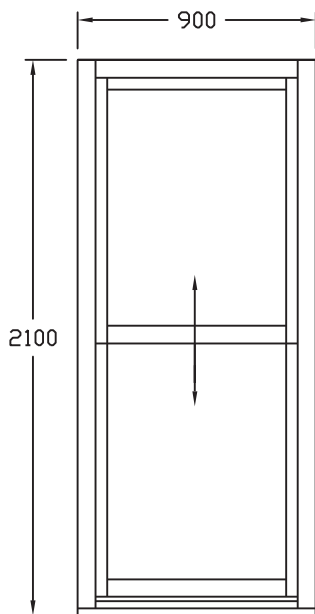
FTW 1800 X 1200 FDH



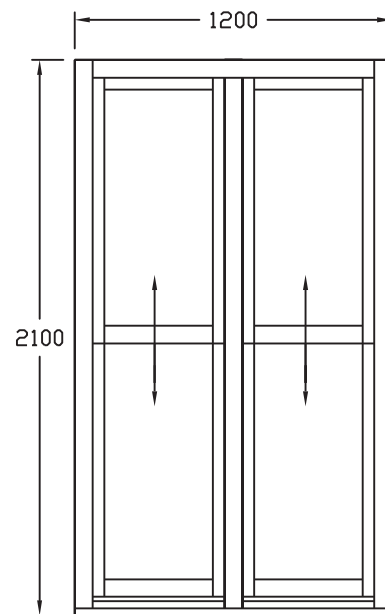
FTW 1800 X 1500 FDH



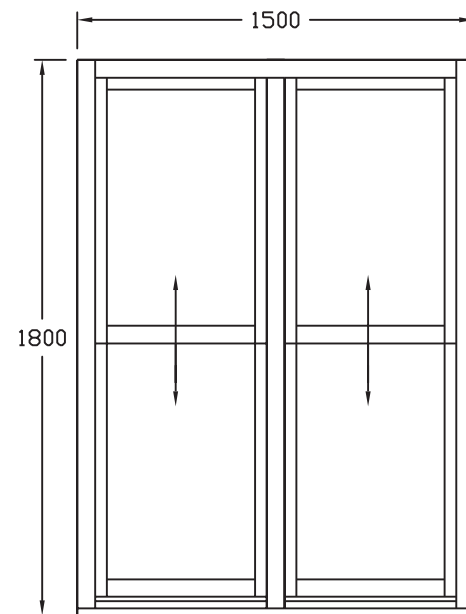
FTW 2100 X 600 FDH



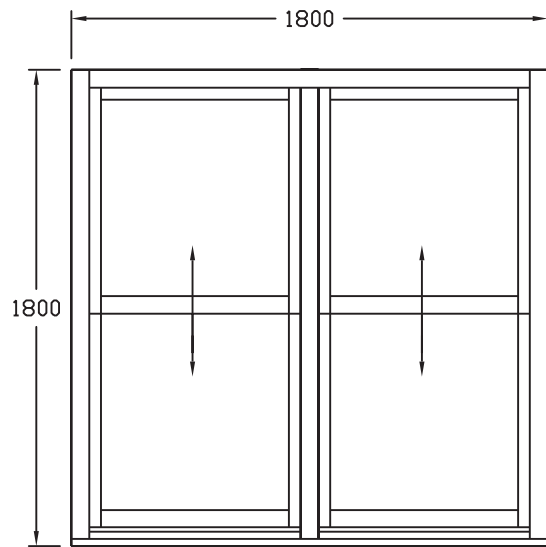
FTW 2100 X 900 FDH



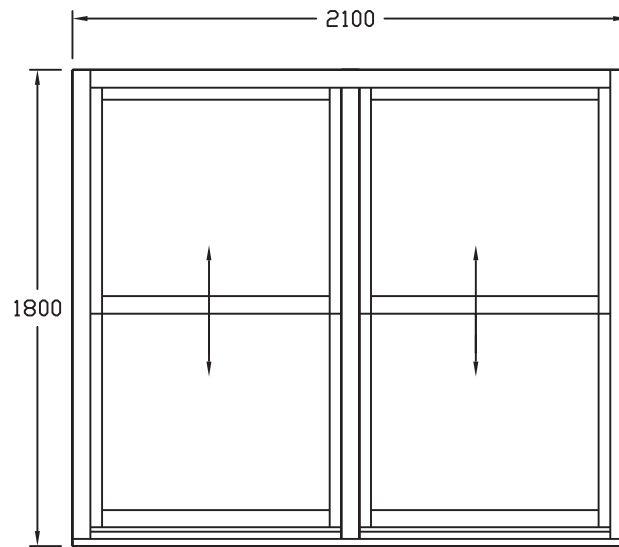
FTW 2100 X 1200 FDH



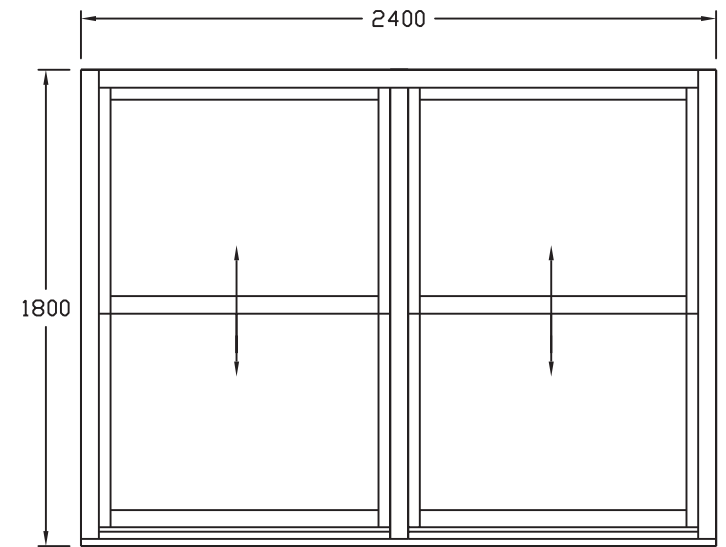
FTW 2100 X 1500 FDH



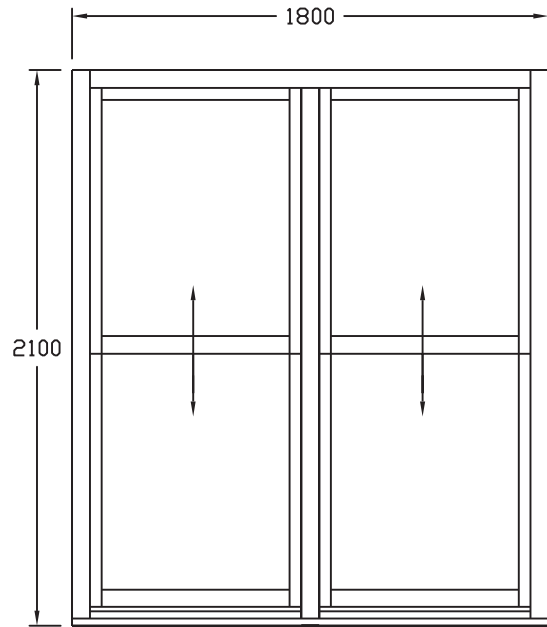
FTW 1800 X 1800 FDH



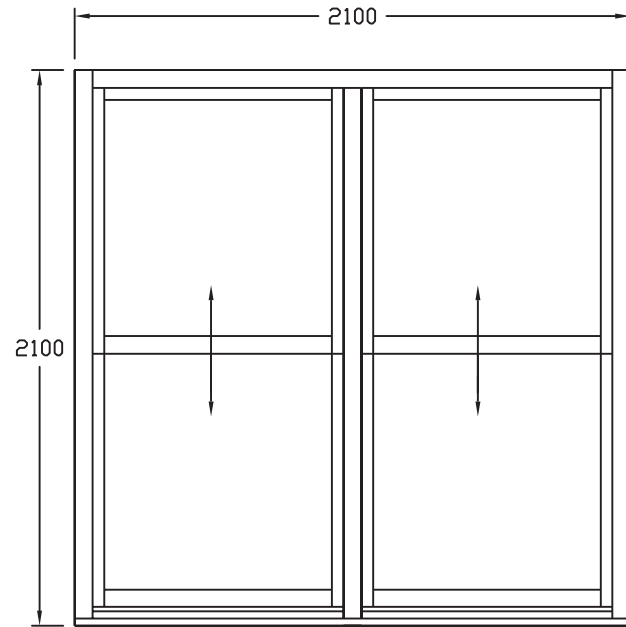
FTW 1800 X 2100 FDH



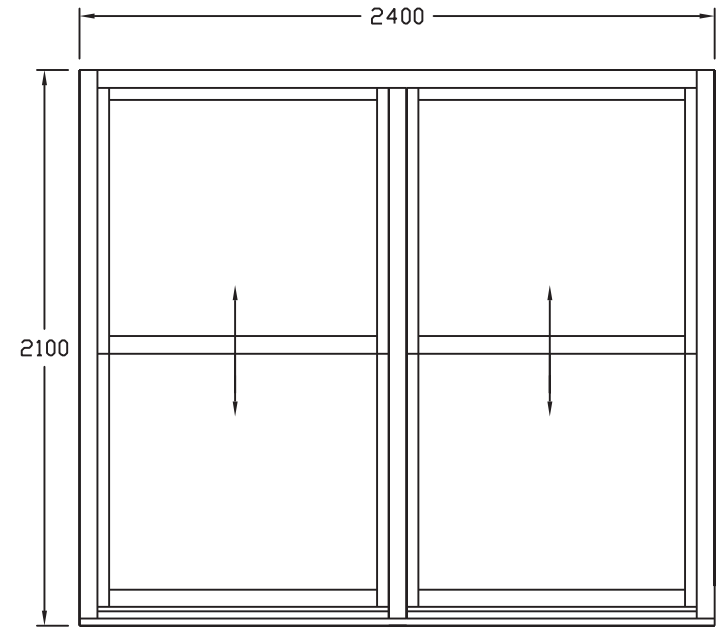
FTW 1800 X 2400 FDH



FTW 2100 X 1800 FDH



FTW 2100 X 2100 FDH



FTW 2100 X 2400 FDH