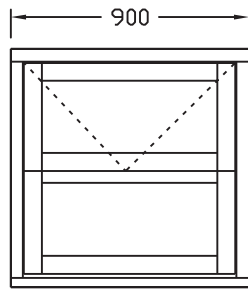
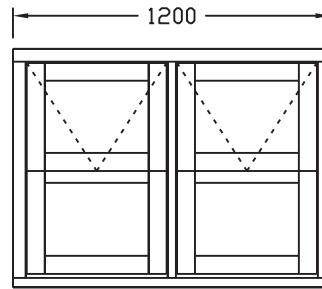


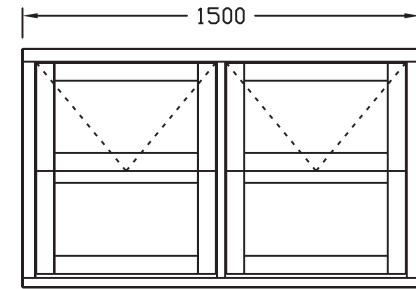
FTW 900 X 600 PDH



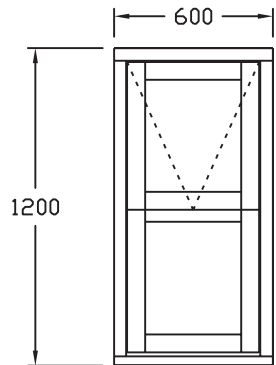
FTW 900 X 900 PDH



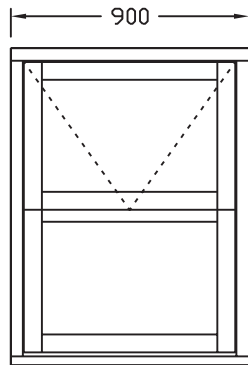
FTW 900 X 1200 PDH



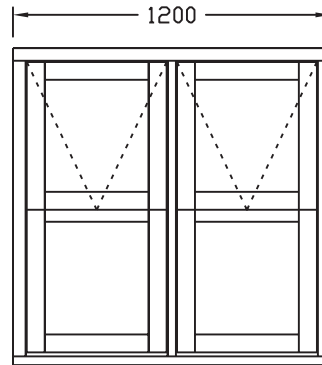
FTW 900 X 1500 PDH



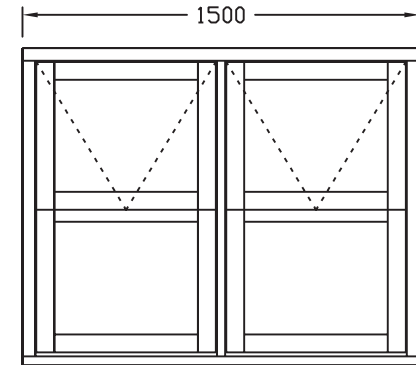
FTW 1200 X 600 PDH



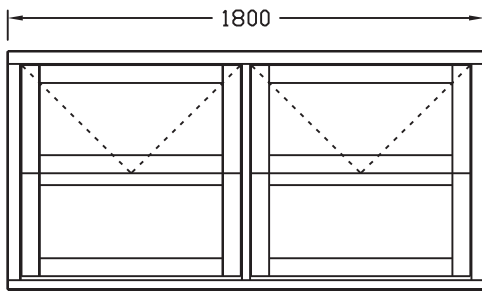
FTW 1200 X 900 PDH



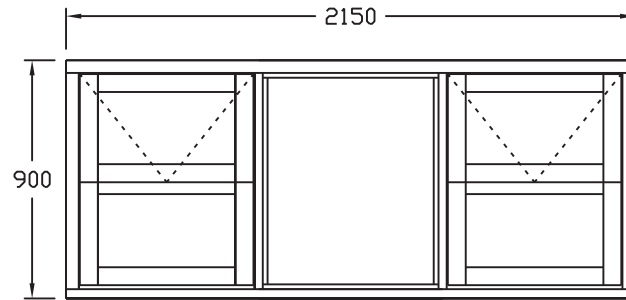
FTW 1200 X 1200 PDH



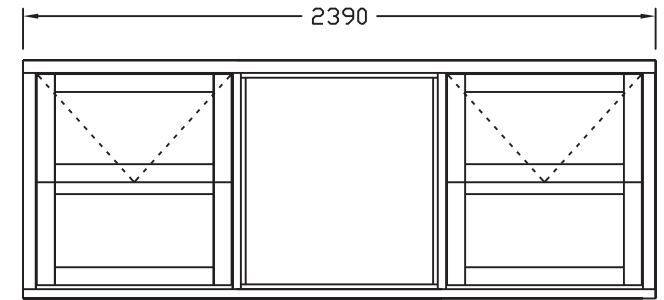
FTW 1200 X 1500 PDH



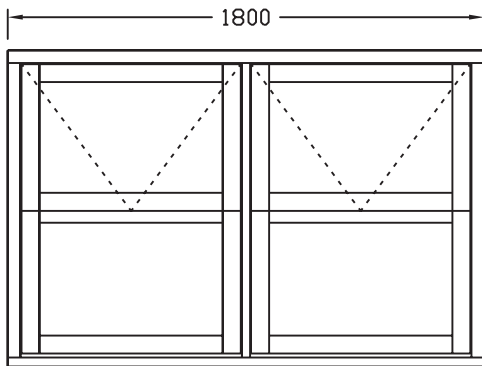
FTW 900 X 1800 PDH



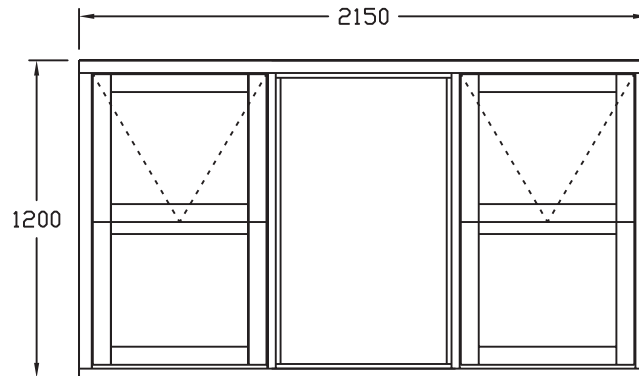
FTW 900 X 2150 PDH



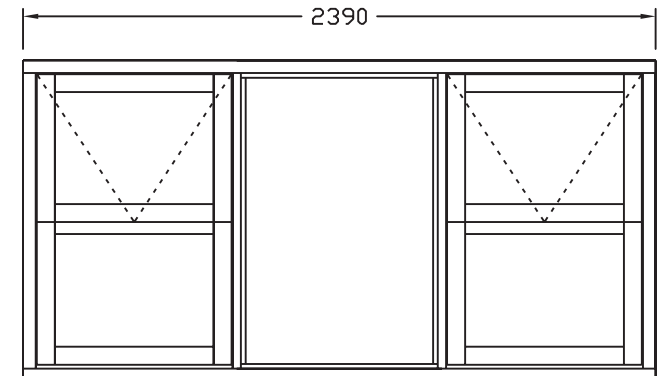
FTW 900 X 2390 PDH



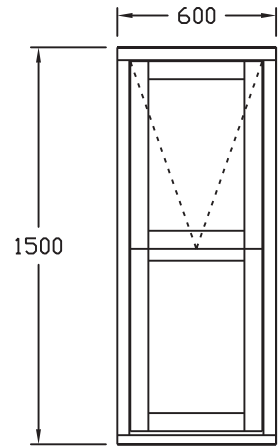
FTW 1200 X 1800 PDH



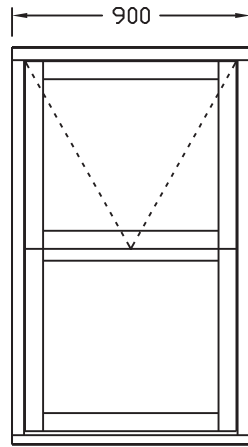
FTW 1200 X 2150 PDH



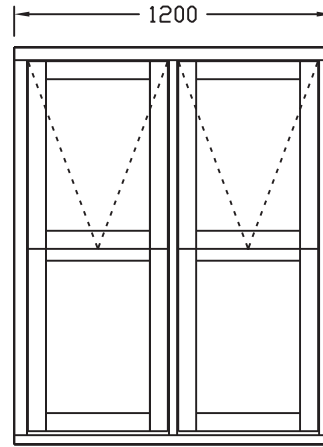
FTW 1200 X 2390 PDH



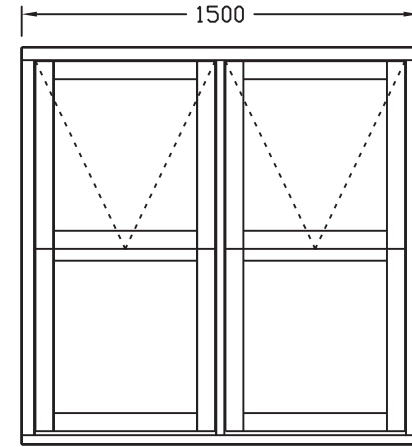
FTW 1500 X 600 PDH



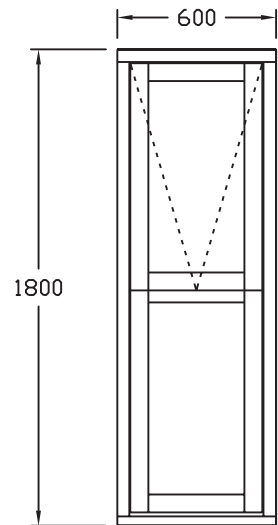
FTW 1500 X 900 PDH



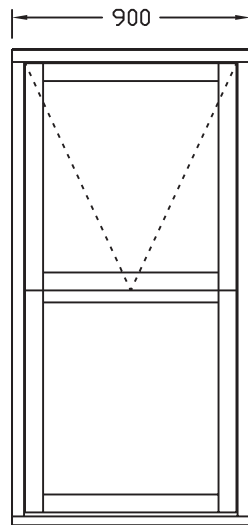
FTW 1500 X 1200 PDH



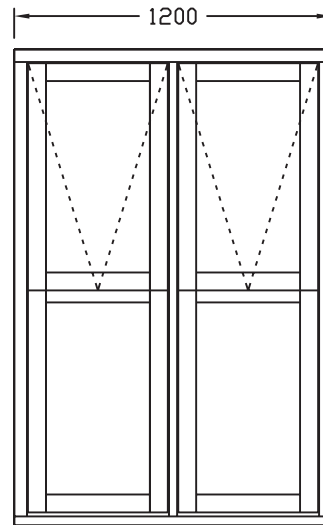
FTW 1500 X 1500 PDH



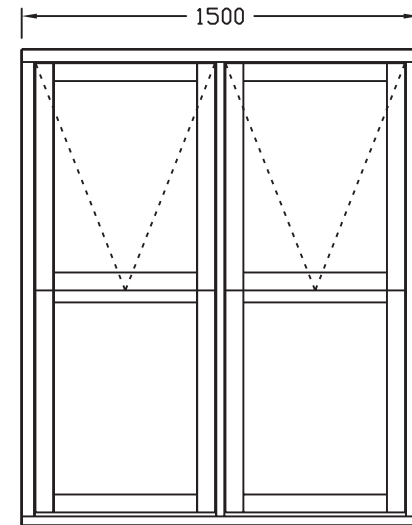
FTW 1800 X 600 PDH



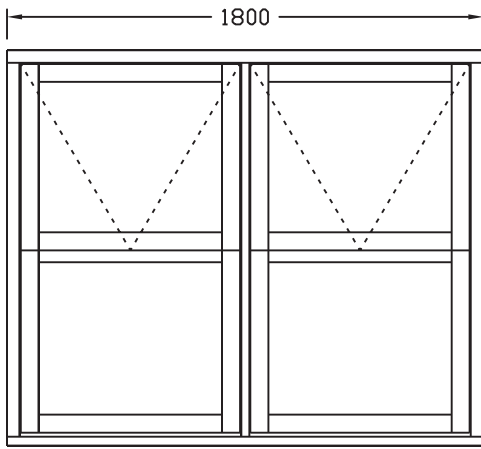
FTW 1800 X 900 PDH



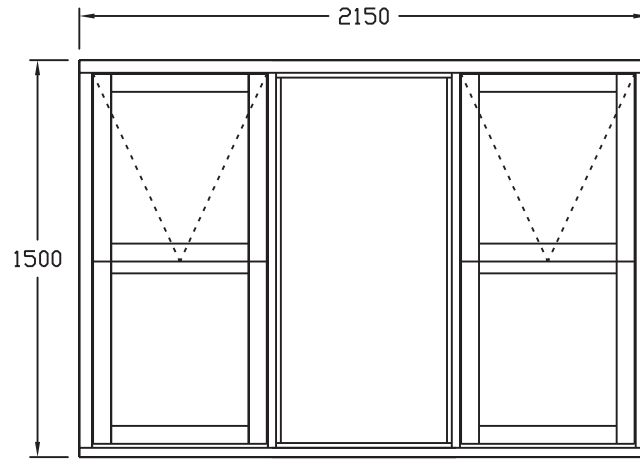
FTW 1800 X 1200 PDH



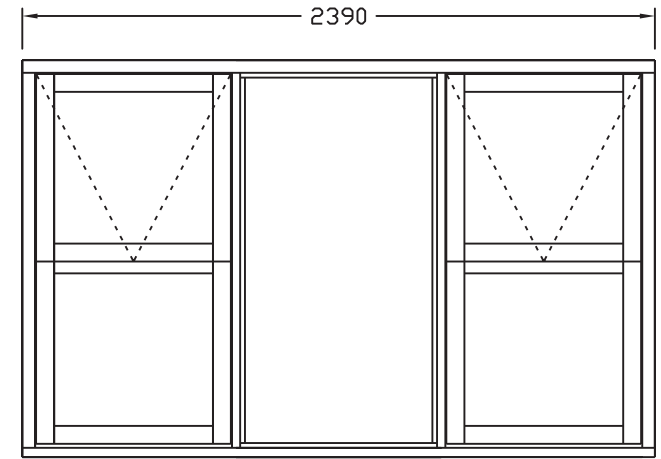
FTW 1800 X 1500 PDH



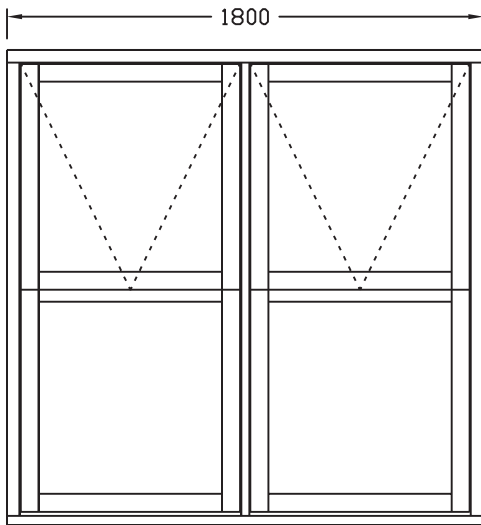
FTW 1500 X 1800 PDH



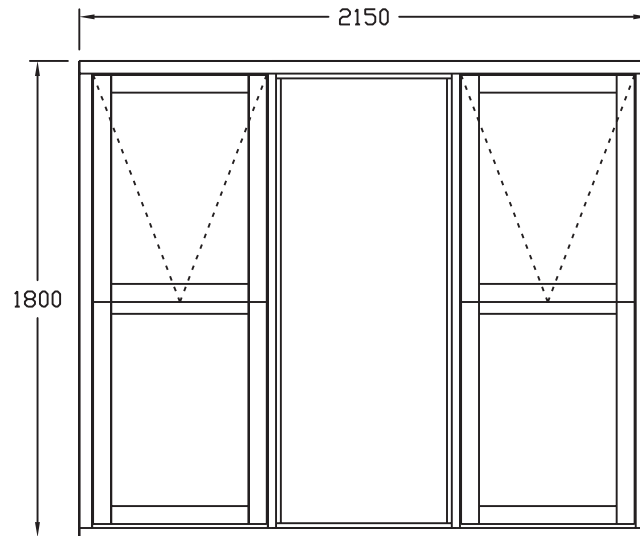
FTW 1500 X 2150 PDH



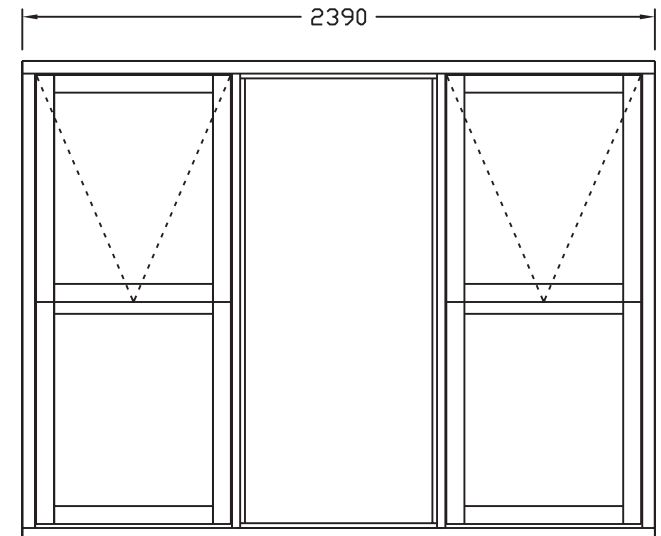
FTW 1500 X 2390 PDH



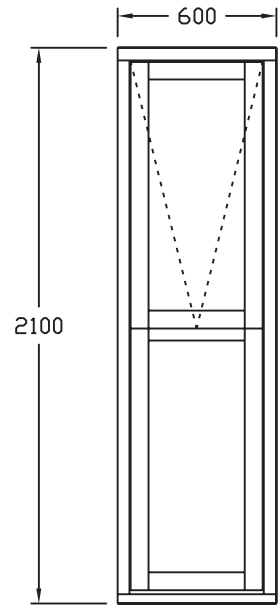
FTW 1800 X 1800 PDH



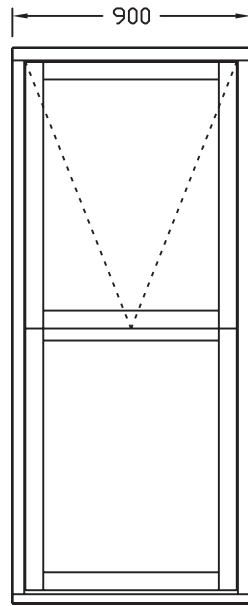
FTW 1800 X 2150 PDH



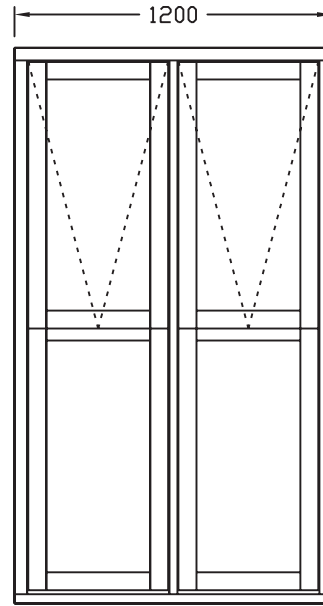
FTW 1800 X 2390 PDH



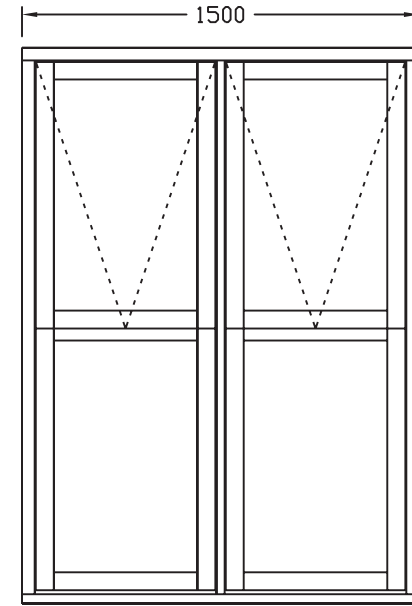
FTW 2100 X 600 PDH



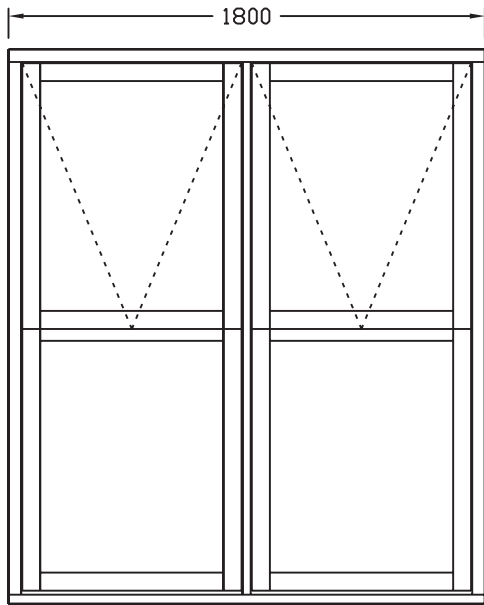
FTW 2100 X 900 PDH



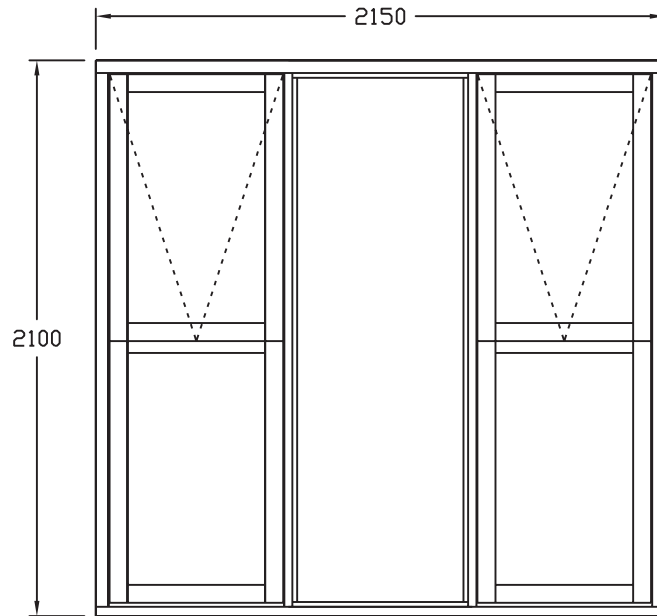
FTW 2100 X 1200 PDH



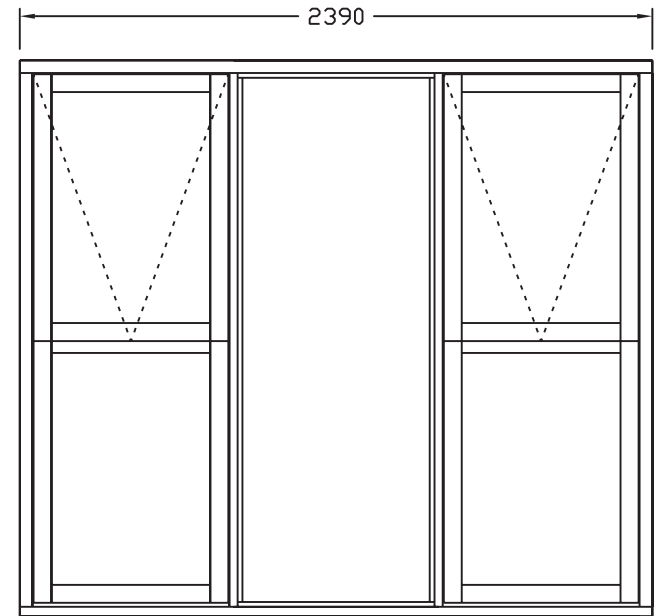
FTW 2100 X 1500 PDH



FTW 2100 X 1800 PDH



FTW 2100 X 2150 PDH



FTW 2100 X 2390 PDH